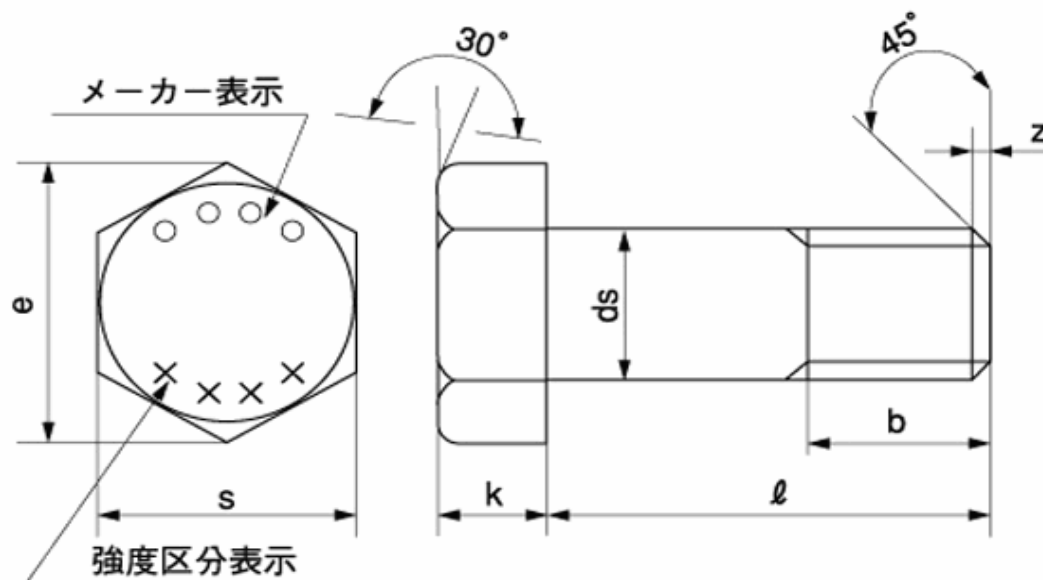


図面／規格

10.9 六角ボルト



| 呼び径<br>(d) | $d_s$ |                | K    |            | S    |               | e<br>約        | z<br>約 |
|------------|-------|----------------|------|------------|------|---------------|---------------|--------|
|            | 基準寸法  | 許容差            | 基準寸法 | 許容差        | 基準寸法 | 許容差           |               |        |
| M5         | 5     | $0$<br>$-0.1$  | 3.5  | $\pm 0.15$ | 8    | $0$<br>$-0.2$ | 9.2           | 0.9    |
| M6         | 6     | $0$<br>$-0.2$  | 4    | $\pm 0.25$ | 10   | $0$<br>$-0.6$ | 11.5          | 1      |
| M8         | 8     |                | 5.5  |            | 13   | $0$<br>$-0.7$ | 15            | 1.2    |
| M10        | 10    | $0$<br>$-0.25$ | 7    | $\pm 0.3$  | 17   |               | $0$<br>$-0.8$ | 19.6   |
| M12        | 12    |                | 8    |            | 19   | 21.9          |               | 2      |
| M14        | 14    |                | 9    |            | 22   | 25.4          |               | 2      |
| M16        | 16    |                | 10   |            | 24   | 27.7          |               | 2      |
| M18        | 18    | $0$<br>$-0.35$ | 12   | $\pm 0.35$ | 27   | $0$<br>$-1$   | 31.2          | 2.5    |
| M20        | 20    |                | 13   |            | 30   |               | 34.6          | 2.5    |
| M22        | 22    |                | 14   |            | 32   |               | 37            | 2.5    |
| M24        | 24    | $0$<br>$-0.4$  | 15   | $\pm 0.4$  | 36   | $0$<br>$-1.2$ | 41.6          | 3      |
| M27        | 27    |                | 17   |            | 41   |               | 47.3          | 3      |
| M30        | 30    |                | 19   |            | 46   |               | 53.1          | 3.5    |
| M33        | 33    |                | 21   |            | 50   |               | 57.7          | 3.5    |
| M36        | 36    | $0$<br>$-0.4$  | 23   | $\pm 0.4$  | 55   | $0$<br>$-1.2$ | 63.5          | 4      |
| M39        | 39    |                | 25   |            | 60   |               | 69.3          | 4      |
| M42        | 42    |                | 26   |            | 65   |               | 75            | 4.5    |
| M45        | 45    |                | 28   |            | 70   |               | 80.8          | 4.5    |
| M48        | 48    |                | 30   |            | 75   |               | 86.5          | 5      |

(bは  $d \times 2+6$ 、長さ130より  $d \times 2+12$ 、長さ220より  $d \times 2+25$ )