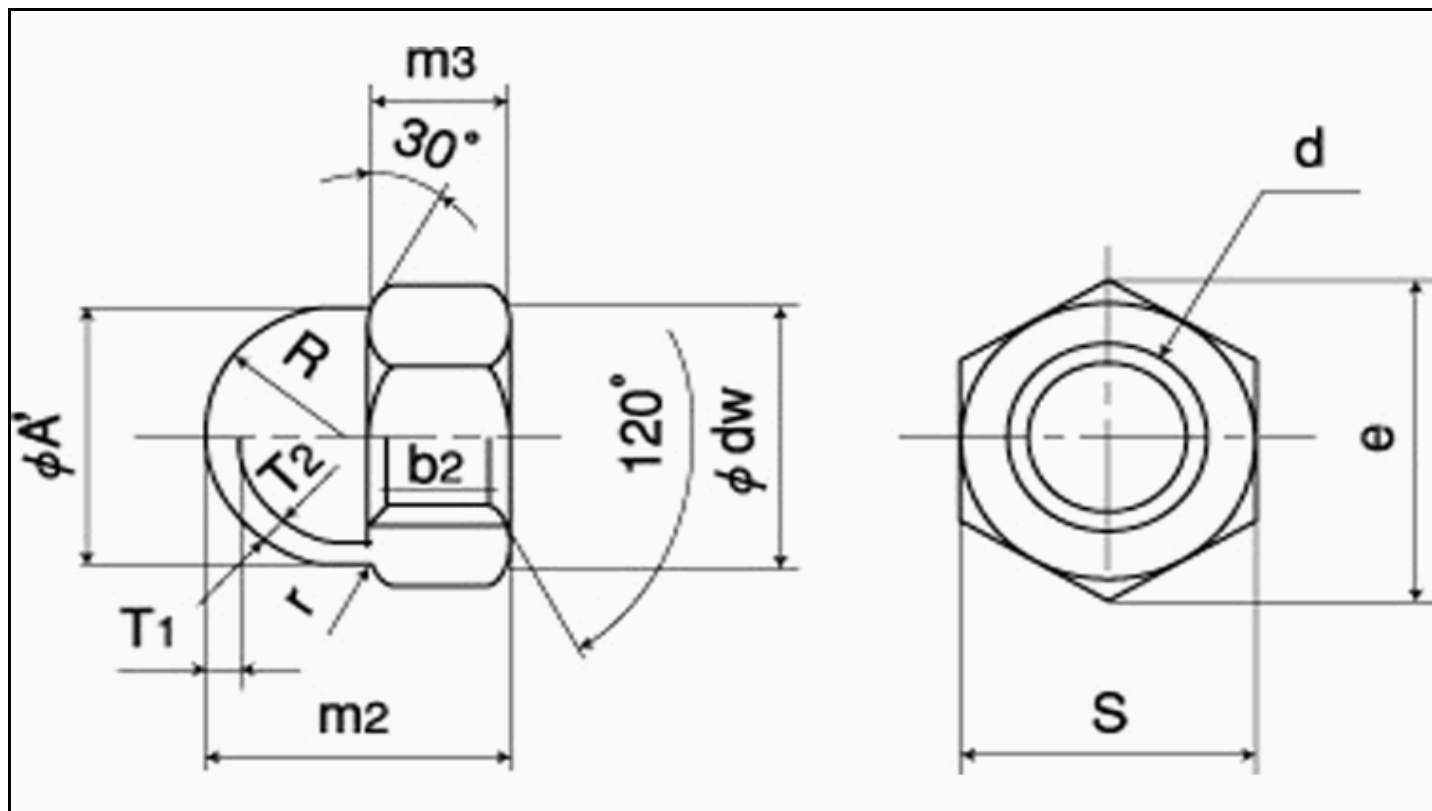


図面／規格

袋ナット(3形)



| ねじの呼び | m2   |       | m3   |            | A'   | T2  | R    | r   | S   |
|-------|------|-------|------|------------|------|-----|------|-----|-----|
|       | 基準寸法 | 許容差   | 基準寸法 | 許容差        | 最小   | 最小  | 約    | 約   |     |
| M3    | 4.8  | ±0.25 | 2.4  | 0<br>-0.3  | 4.6  | 0.4 | 2.3  | 0.5 | 5.5 |
| M4    | 6.2  |       | 3.2  |            | 5.6  | 0.4 | 3    |     | 7   |
| M5    | 7.5  |       | 4    |            | 6.6  | 0.4 | 3.5  |     | 8   |
| M6    | 9.5  |       | 5    |            | 8.5  | 0.5 | 4.5  |     | 10  |
| M8    | 12.5 | ±0.3  | 6.5  | 0<br>-0.36 | 11.5 | 0.5 | 6.0  | 1.0 | 13  |
| M10   | 15.5 |       | 8    |            | 14.5 | 0.8 | 7.5  |     | 17  |
| M12   | 18.5 |       | 10   |            | 16.5 | 0.8 | 8.5  |     | 19  |
| M14   | 21   |       | 11   |            | 19.5 | 1.0 | 10   |     | 22  |
| M16   | 24   | ±0.4  | 13   | 0<br>-0.43 | 21.5 | 1.0 | 11   | 1.5 | 24  |
| M18   | 27   |       | 15   |            | 23.5 | 1.2 | 12   |     | 27  |
| M20   | 29   |       | 16   |            | 26.5 | 1.2 | 13.5 |     | 30  |
| M22   | 32.5 |       | 18   |            | 28.5 | 1.2 | 14.5 |     | 32  |
| M24   | 35.5 | ±0.5  | 19   | 0<br>-0.52 | 32.5 | 1.2 | 16.5 | 1.5 | 36  |
| M27   | 41   |       | 22   |            | 37.5 | 1.6 | 19   |     | 41  |
| M30   | 45   |       | 24   |            | 41.5 | 1.6 | 21   |     | 46  |
| M33   | 49   |       | 26   |            | 45.5 | 1.6 | 23   |     | 50  |
| M36   | 54.5 | ±1.0  | 29   | 0<br>-1.0  | 50.5 | 1.6 | 25.5 | 1.5 | 55  |
| M42   | 63.5 |       | 34   |            | 59.0 | 2.3 | 29.5 |     | 65  |
| M48   | 67.5 |       | 38   |            | 59.0 | 2.3 | 29.5 |     | 75  |